

Environmental technology

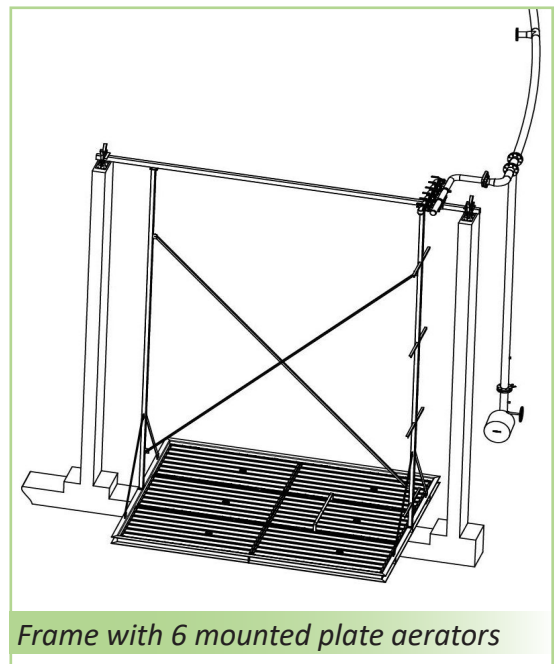
NORTH WATER - Groningen (NL)

Aeration system upgrade

North Water is a joint venture of Evides Industrierwater and Waterbedrijf Groningen. North Water operates a water purification plant for local companies at the Oosterhorn business parc (Netherlands).

In 2017, the aeration system of the water purification plant was expanded by Trevi with 20% to a capacity of 410 kg O₂/h. In view of the high salt concentrations in the installation, the material choice was adapted. Messner plate aerators were installed with stainless steel 1.4465 (duplex) instead of the standard version of stainless steel 316Ti. The applied duplex design is only used for high saline industrial waste waters.

During the transition, the installation had to remain operational at all times and sufficient oxygen capacity had to be guaranteed. For this reason, a removable aeration system has been developed, in which 6 plate aerators are mounted on each frame. These frames can easily be removed out of the basin by using a crane.



Frame with 6 mounted plate aerators

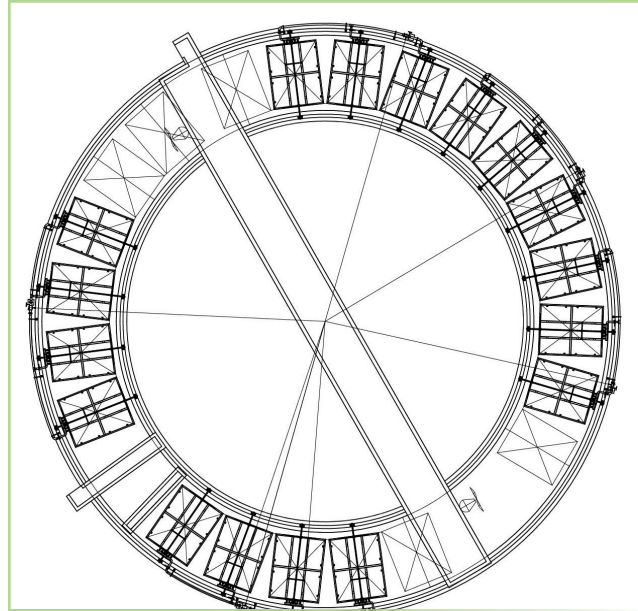


Construction of plate aerators next to the basin



On-site assembly

In order to ensure continuous oxygen supply during the transition phase, a detailed planning was required in which the demolition of the old aeration system and the installation of the new frames were closely matched.



As-built drawing of the upgraded aeration basin



Safety coordination on-site



Placing an aeration frame in the basin



Upgraded aeration system



Trevi nv
Dulle-Grietlaan 17/1
9050 Gentbrugge
Belgium

T +32 9 220 05 77
F +32 9 222 88 89
E info@trevi-env.com
S www.trevi-env.com

ISO 14001
ISO 9001
VCA
BE 0477.717.158

Trevi is een Belgische vennootschap die beschikt over een multidisciplinair team met milieuadviseurs, procesdeskundigen, programmeurs en installateurs. Deze diversiteit biedt de klant het voordeel dat hij met één partner alle milieuproblemen kan oplossen van A tot Z en dit zowel in de domeinen water, lucht, bodem en energie. De consequente aanpak via onderzoek, pilootproeven, ontwerp, realisatie, opstart, opvolging en exploitatie staat garant voor de geleverde kwaliteit.